

## ASSEMBLING INSTRUCTION

### CRASH PAD KIT

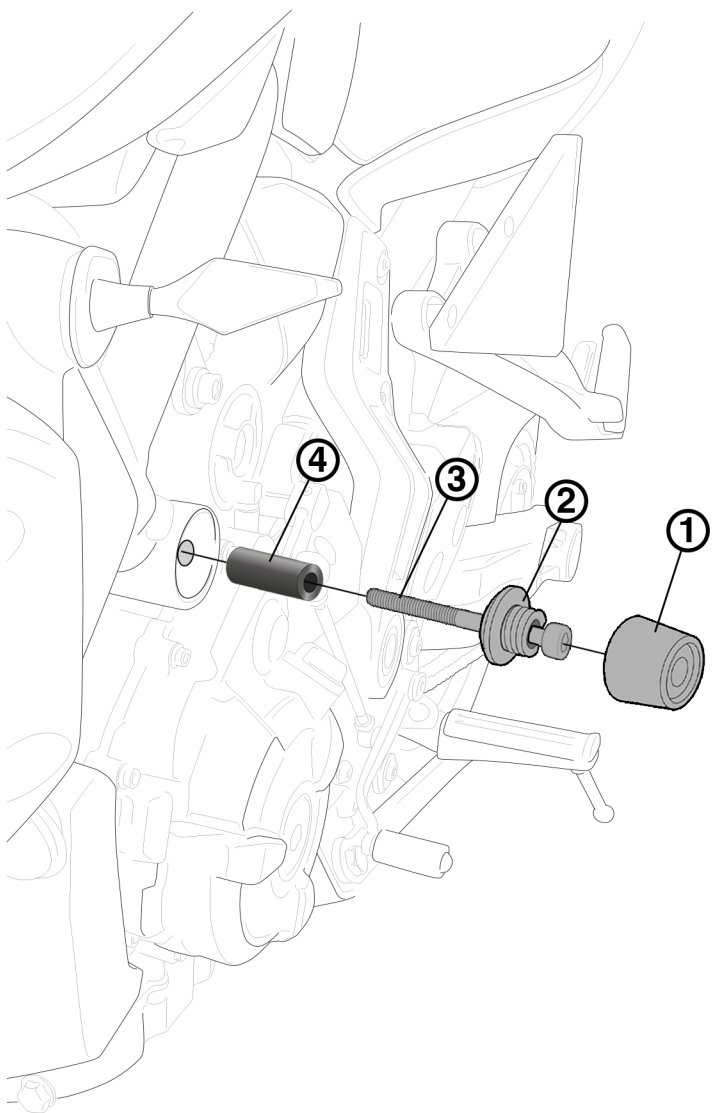
YMT7101

[WWW.BARRACUDAMOTO.COM](http://WWW.BARRACUDAMOTO.COM)

## LEGEND

- |                                                                                               |                                                                                                        |
|-----------------------------------------------------------------------------------------------|--------------------------------------------------------------------------------------------------------|
| 1. CRASH PAD HEAD<br>TESTA TAMPONE<br>CABEZA CRASH PAD<br>KOPF CRASH PAD<br>TÊTE DE CRASH PAD | 3. SCREW M12X100<br>VITE M12X100<br>TORNILLO M12X100<br>SCHRAUBE M12X100<br>VIS M12X100                |
| 2. BASE PAD<br>BASE TAMPONE<br>BASE DE TOPE<br>STURZPAD BASIS<br>BASE TAMPON                  | 4. SPACER TUBE H. 90<br>DISTANZIALE H. 90<br>DISTANCIADOR H. 90<br>DISTANZROHR H. 90<br>ESPACEUR H. 90 |

LEFT SIDE



RIGHT SIDE

