

ASSEMBLING INSTRUCTION

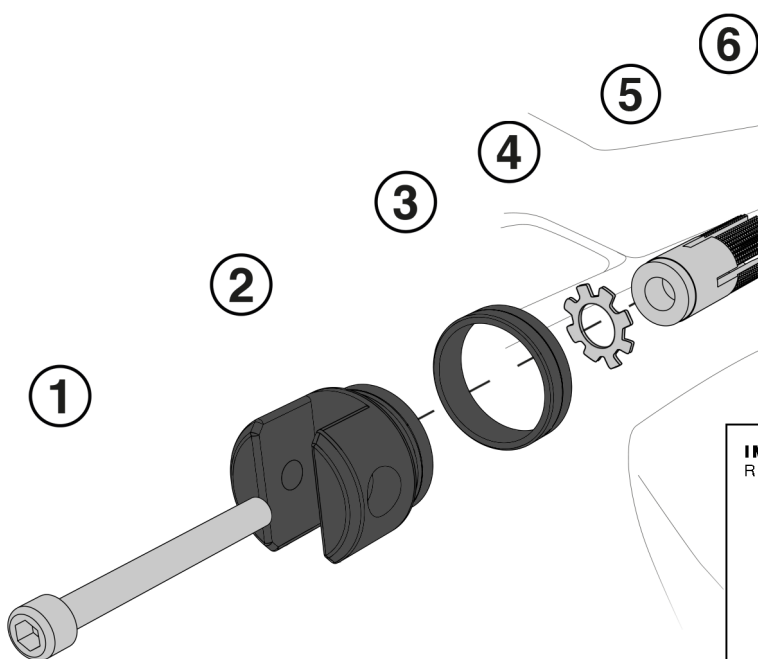
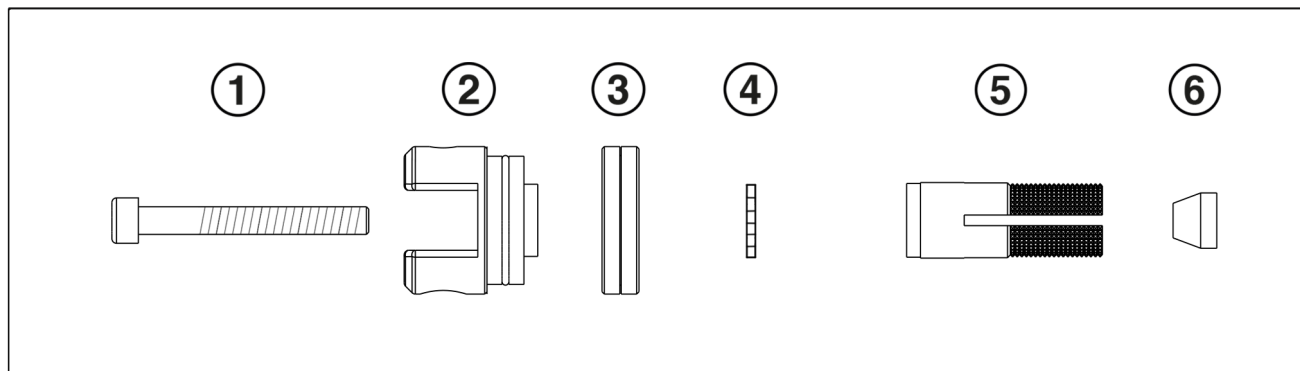
MIRROR BAR-END HONDA FITTING

WWW.BARRACUDAMOTO.COM

LEGEND

- | | |
|---|---|
| 1. M6X55 | 5. EXPANDER ESPANSORE EXTENSOR EXPANDER EXPANSEUR |
| 2. BAR END ANTIVIBRANTE ANTIVIBRACION LENKERGEWICHTE EMBOUT DE GUIDON | 6. NUT DADO TUERCA NUSS ÉCROU |
| 3. INSERT INSERTO INSERTO METALLEINSATZ INSERT | |
| 4. WASHER RONDELLA ARANDELA SCHEIBE RONDELLE | |

COMPLETE SET



IMPORTANT:
REMOVE THE ORIGINAL INSERT INSIDE THE HANDLE-BAR

